

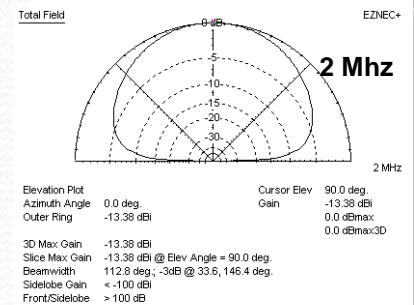
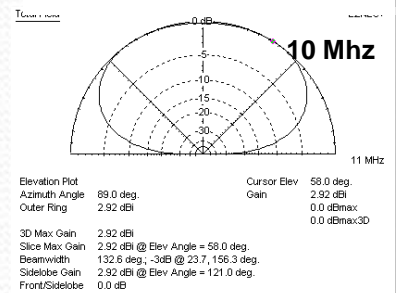
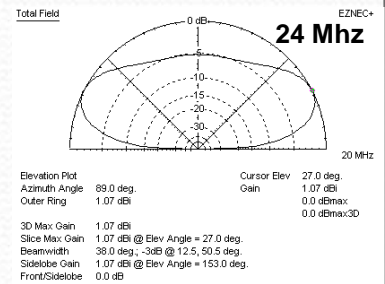
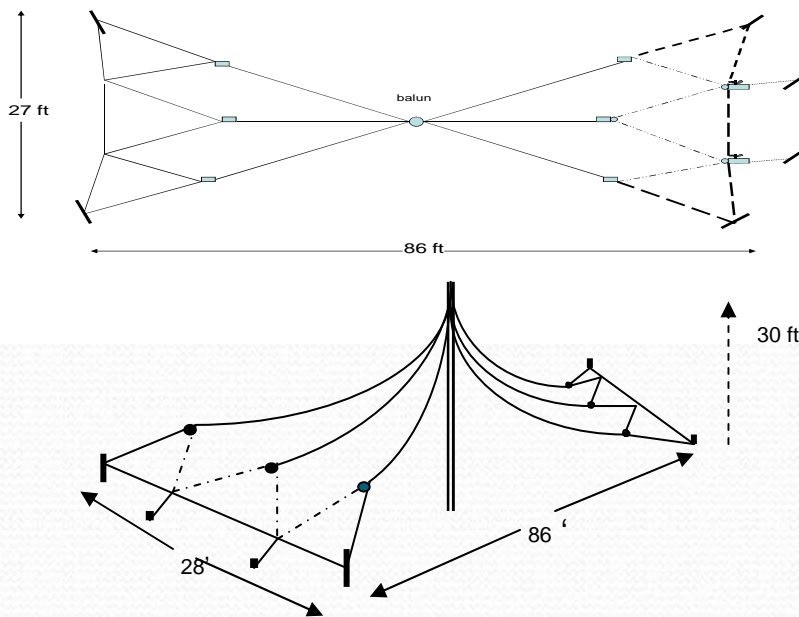


www.whitewolfsystems.com

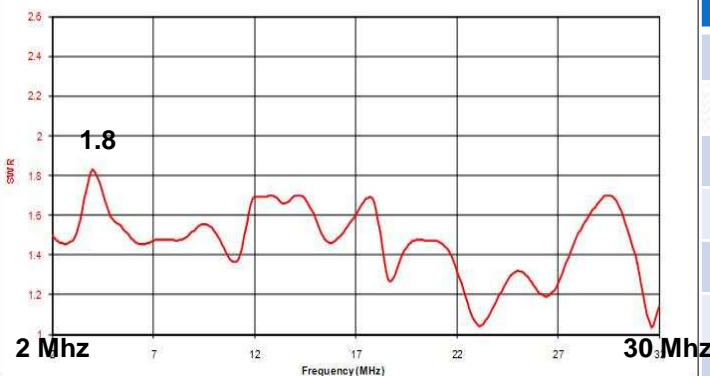
## White Wolf Systems “Whiskey” (US Pat. D706749) Broadband NVIS Antenna

The Whiskey, or “W” antenna is designed as a local, regional to continental (0-2500miles) coverage antenna intended for High Frequency Communications. It is an Omni-directional horizontally polarized system. Typical use is for disaster and rapid deployment scenarios. Its strong NVIS (Near Vertical Incidence Skywave) capabilities allow for communications over mountainous/jungle terrain and its full 2-30 Mhz spectrum **broadband** coverage makes it an excellent antenna for ALE operations without the need for a tuner/coupler. Radial ground plane or grounding is **not** required making the antenna ideal for ground/rooftop installations and mobile “on the move” field use. The “Whiskey” antenna can be purchased in transportable or permanent models.

Overhead View



SWR vs Frequency



Antenna	Specifications
Frequency	2-30 Mhz Broadband
Power (5kw Avail.)	1kw CW 4kw PEP
Impedance	50 Ohms
Polarization	Horizontal
VSWR	1.8: 1 Max
Pattern	Omni-Directional
Weight	41 lbs with metal stakes

White Wolf Systems, LLC, 5533 Pilots Place, New Port Richey, FL 34652  
 Office: 727-849-4603 Sales: 443-995-2228 Bwhittington@whitewolfsystems.com